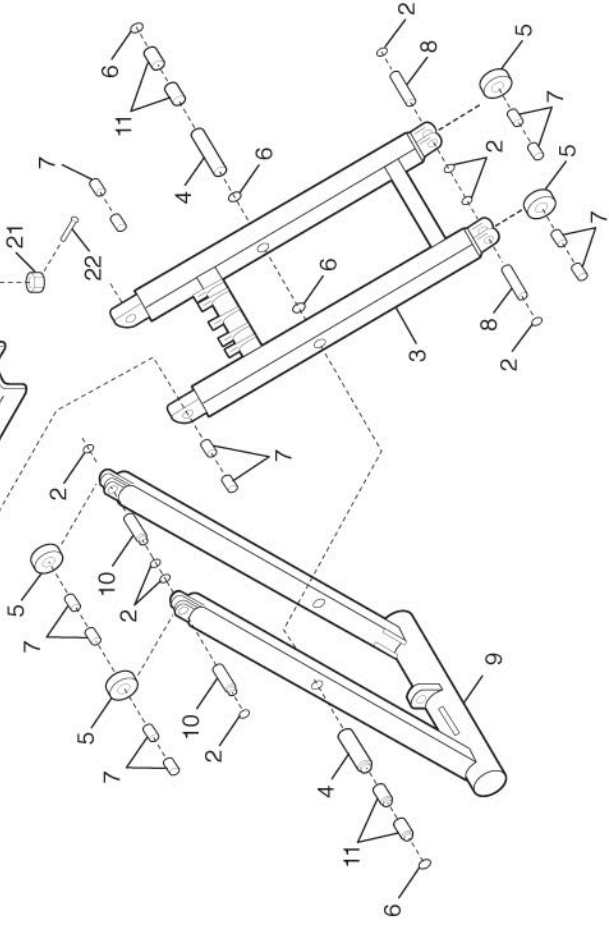
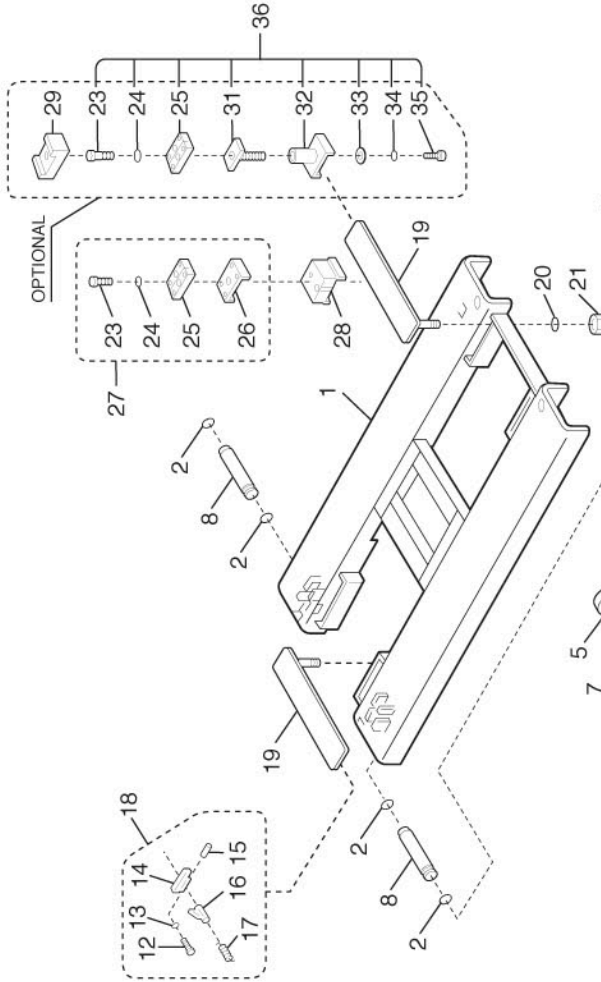
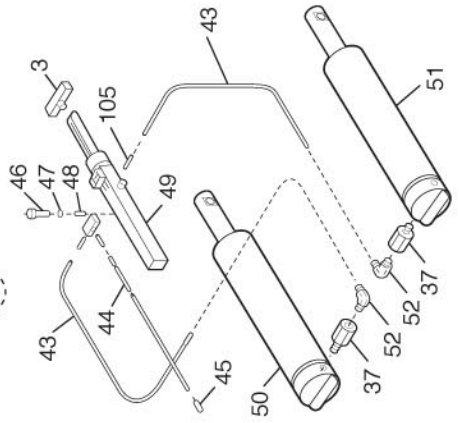
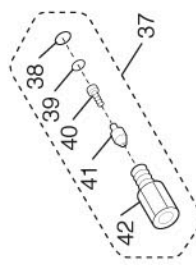
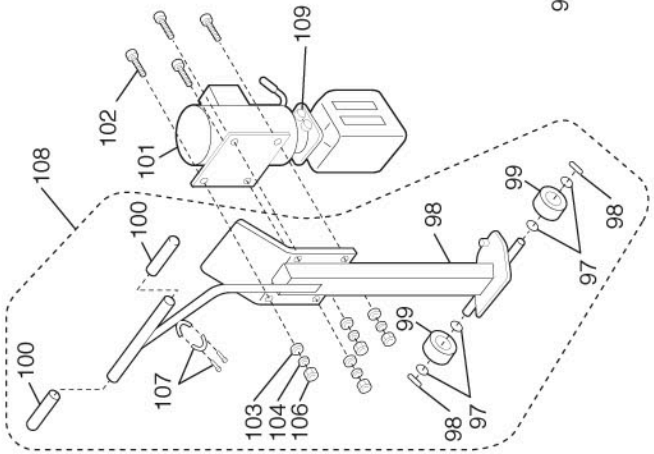
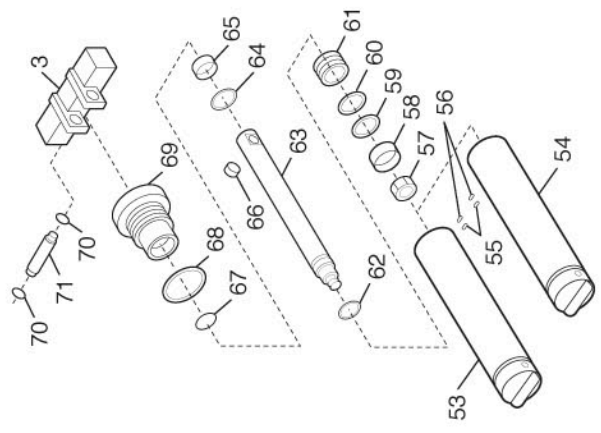
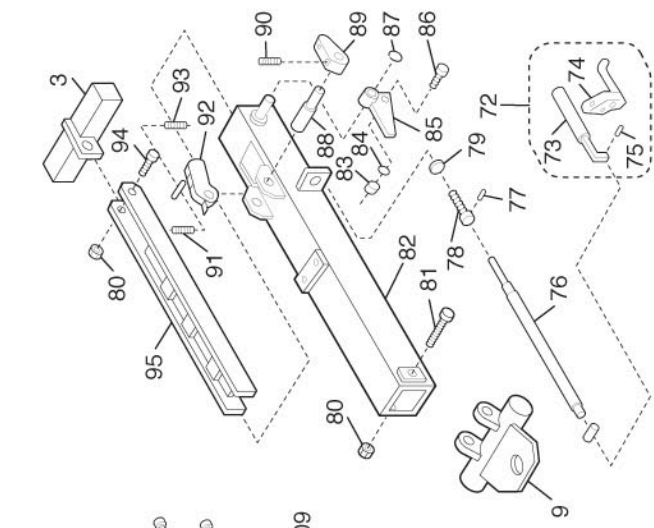


DESCRIPTION
MID-RISE ABOVE GROUND LIFT

CAPACITY
6000 LBS.

MODEL NO.
86000 / 86002

REPLACEMENT PARTS



INDEX NO.	DESCRIPTION	PART NO.	REQ'D NO.
1	Ramp Assembly for #86000	860005	1
1	Ramp Assembly for #86002	860070	1
2	Retaining Ring	860001	12
3	Inner Arm Assembly for #86000	860010	1
3	Inner Arm Assembly for #86002	860075	1
4	Center Shaft	860002	2
5	Roller	860003	4
6	Retaining Ring	860004	4
7	Bushing	860006	12
8	Shaft	860007	4
9	Outer Arm Assembly for #86000	860015	1
9	Outer Arm Assembly for #86002	860080	1
10	Roller Shaft	860008	2
11	Bushing	860009	4
12	Hex. Bolt	860011	8
13	Lockwasher	860012	8
14	Stopper Bracket	860013	4
15	Spring Pin	860014	4
16	Stopper	860016	4
17	Spring	860017	4
18	Adapter Stopper Assembly	860020	4
19	Swing Arm	860018	4
20	Washer	860019	4
21	Castle Nut	860021	4
22	Cotter Pin	860022	4
23	Allen Socket Cap Screw	860023	16
24	Flat Washer	860024	16
25	Rubber Pad	860026	4
26	Slide Base	860027	4
27	Pad Adapter Assembly	860025	4
28	Stacking Adapter	860028	4
29	Channel Adapter	860029	4
30			
31	Extension Screw Holder	860032	4
32	Slide Base	860033	4
33	Flat Washer	860034	4
34	Lockwasher	860036	4
35	Screw	860037	4
36	Extension Screw Adapter	860030	4
37	Velocity Fuse	860035	2
38	Retaining Ring	860038	2
39	Washer	860039	2
40	Spring	860041	2
41	Valve	860042	2
42	Housing Valve Body	860043	2
43	Short Hydraulic Line	860040	2
44	Long Hydraulic Line	860045	1
45	Adapter Elbow	860044	4
46	Hex. Bolt	860046	2
47	Lockwasher	860047	2
48	Manifold	860048	1
49	Safety Lock Assembly for #86000	860050	1
49	Safety Lock Assembly for #86002	860125	1
50	Left Cylinder Assembly for #86000	860055	1
50	Left Cylinder Assembly for #86002	860085	1
51	Right Cylinder Assembly for #86000	860060	1
51	Right Cylinder Assembly for #86002	860090	1
52	90° Elbow	860049	2
53	Left Cylinder Tube for #86000	860051	1
53	Left Cylinder Tube for #86002	860114	1
54	Right Cylinder Tube for #86000	860052	1
54	Right Cylinder Tube for #86002	860116	1

INDEX NO.	DESCRIPTION	PART NO.	REQ'D NO.
55	Vent Plug	860053	2
56	Square Head Plug	860054	2
57	Nut	860056	2
*58	Wear Ring	860057	2
*59	Packing	860058	2
*60	Back-up Ring	860059	2
61	Packing Retainer	860061	2
*62	O-ring	860062	2
63	Piston Rod for #86000	860063	2
63	Piston Rod for #86002	860117	2
*64	O-ring	860064	2
*65	Wear Ring	860066	2
66	Bushing	860067	2
*67	Wiper	860068	2
*68	O-ring	860069	2
69	Cylinder Nut	860071	2
70	Retaining Ring	860072	4
71	Piston Pin	860073	2
72	Safety Cam Release Lever	860074	1
73	Grip	860076	1
74	Lever	860077	1
75	Screw	860078	1
76	Safety Lock Cable	860065	1
77	Screw	860079	1
78	Cable Adjuster	860081	1
79	Hex. Nut	860082	1
80	Nut	860083	2
81	Hex. Bolt	860084	1
82	Lock Pipe for #86000	860086	1
82	Lock Pipe for #86002	860118	1
83	Hex. Nut	860087	1
84	Lockwasher	860088	1
85	Cam Lever	860089	1
86	Cable Lock Bolt	860091	1
87	Retaining Ring	860092	1
88	Cam Shaft	860093	1
89	Link	860094	1
90	Spring Pin	860096	1
91	Spring Pin	860097	1
92	Safety Cam	860098	1
93	Spring	860099	1
94	Hex. Bolt	860101	1
95	Lock Leg for #86000	860102	1
95	Lock Leg for #86002	860119	1
96	Trolley Assembly	860105	1
97	Flat Washer, Wheel	2074	4
98	Cotter Pin	7056	2
99	Wheel	492005	2
100	Grip	479248	2
101	Electrohydraulic Pump	860100	1
102	5/16" - 18 x 1" Hex. Head Bolt	11054	4
103	5/16" Flatwasher	2071	4
104	5/16" Lockwasher	2119	4
105	Adapter	860103	3
106	5/16" - 18 Nut	1082	4
107	1/2 Ring with Two Screws	860104	1
108	Complete Trolley Assembly	860106	1
109	Pump Coupler	860095	1

* The asterisk designates those parts included in Repair Kit #860110