

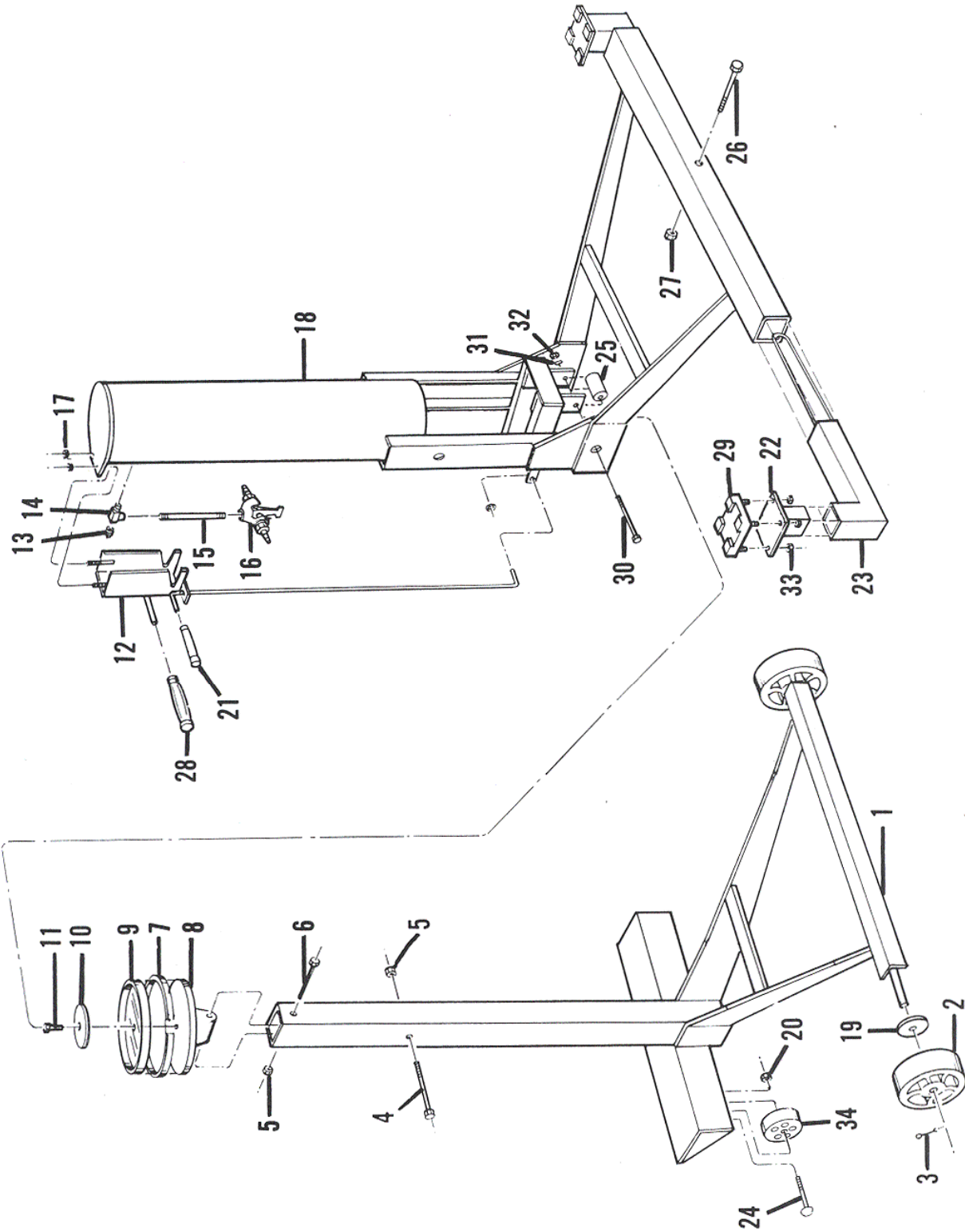
norco

DESCRIPTION
AIR LIFT JACK

CAPACITY
2-1/2 TON

MODEL NO.
82920

REPLACEMENT
PARTS



INDEX NO.	DESCRIPTION	PART NO.	QTY.
1	Base assembly	291040	1
2	Wheel	291038	2
3	Cotter pin	291002	1
4	Bolt	3097	1
5	Nut	1007	2
6	Bolt	11064	1
7	Seal ring	291042	1
8	Seal bearing	291043	1
9	"U" cup seal	291044	1
10	Washer	291007	1
11	Bolt	11058	1
12	Air valve cover	291046	1
13	Pipe plug	14007	1
14	Elbow fitting	291008	1
15	Air line	291048	1
16	Air valve	291011	1
17	Nut	1006	2
18	Lift cylinder assembly	291050	1
19	Washer	291049	2
20	Nut	291051	2
21	Safety lock grip	291052	1
22	Saddle base	291053	2
23	Extendable arm	291054	2
24	Caster bolt	291041	2
25	Guide roller	291057	1
26	Bolt	11066	1
27	Nut	1004	1
28	Handle grip	291058	2
29	Saddle	291059	2
30	Bolt	3103	1
31	Lock washer	2046	1
32	Nut	1044	1
33	Nut	1023	8
34	Caster Wheel	291039	2