

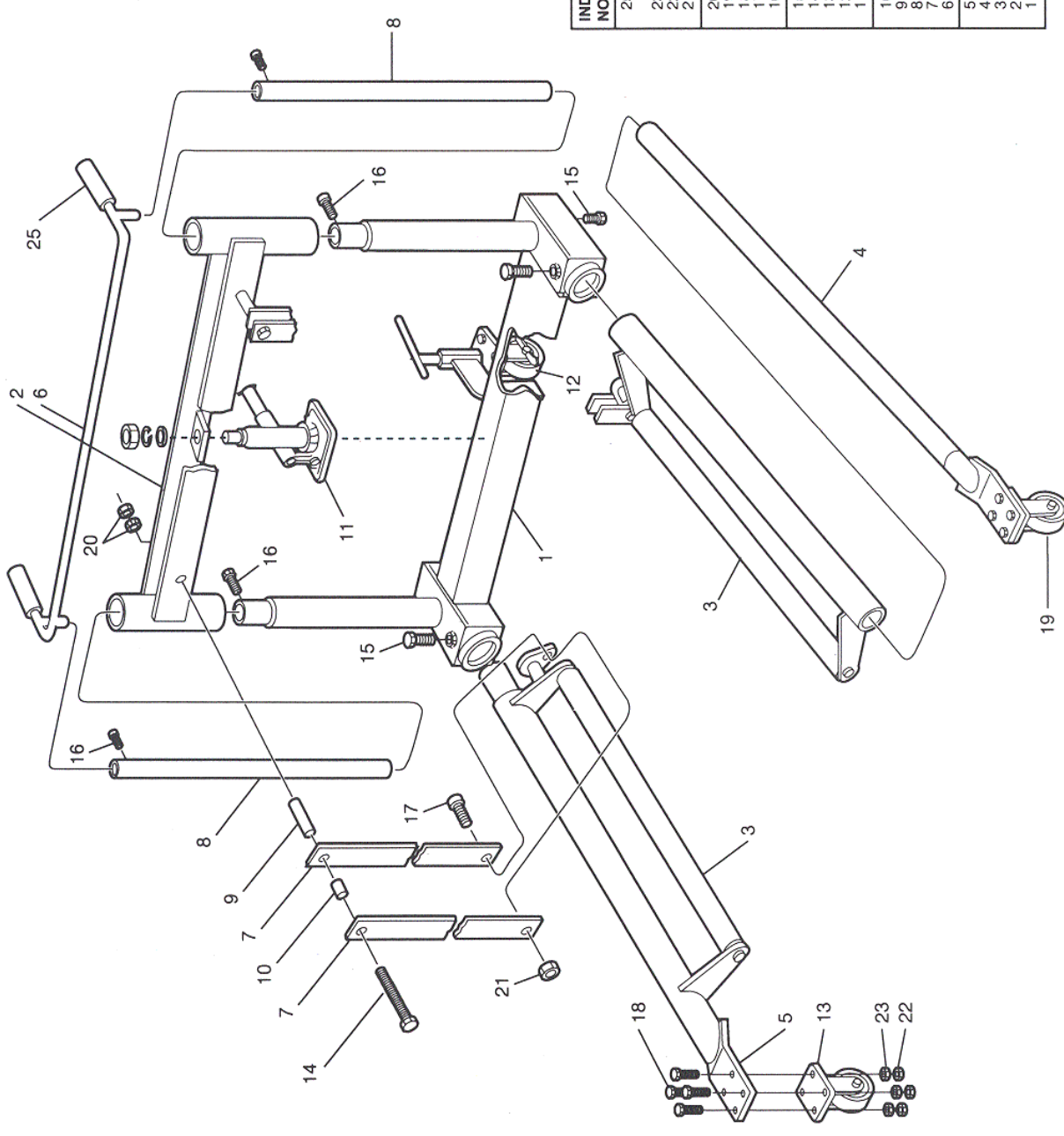
**norco**

**DESCRIPTION**  
WHEEL DOLLY

**CAPACITY**  
1-1/2 TON

**MODEL NO.**  
82300B/82301B

**REPLACEMENT PARTS**



INDEX NO.	DESCRIPTION	PART NO.	QTY.	
			300B	301B
25	Grip	479248	2	2
23	7/16 washer-SAE	2073	12	12
22	7/16-14 nut, hex, nylock	1072	12	12
21	1/2-13 nut, hex, nylock	1056	2	2
20	5/8 nut, hex, jam	1044	4	4
19	Caster, swivel	492010	-	2
18	7/16 - 14 x 1/4" bolt, hex, h'd	11147	22	22
17	1/2 - 13 x 1 1/2" bolt, hex, h'd	11004	2	2
16	3/8 - 16 x 1/2" bolt, hex, h'd	11149	4	4
15	1/2 - 13 x 1" bolt, hex, h'd	11053	4	4
14	5/8 - 11 x 5 1/2" bolt, hex, h'd	11150	2	2
13	Caster, fixed	492020	2	2
12	Caster, swivel w/locks	492015	1	1
11	Jack w/handle	76502	1	1
10	Spacer, short	430079	2	2
9	Spacer, long	430078	2	2
8	Handle extension tube	430075	2	2
7	Lift strap	430077	4	4
6	Handle assy.	430070	1	1
5	Right leg assy.	430065	1	1
4	Left leg assy.	430060	1	1
3	Roller assy.	430055	2	2
2	Jack lift assy.	430050	1	1
1	Base assy.	430092	1	1