

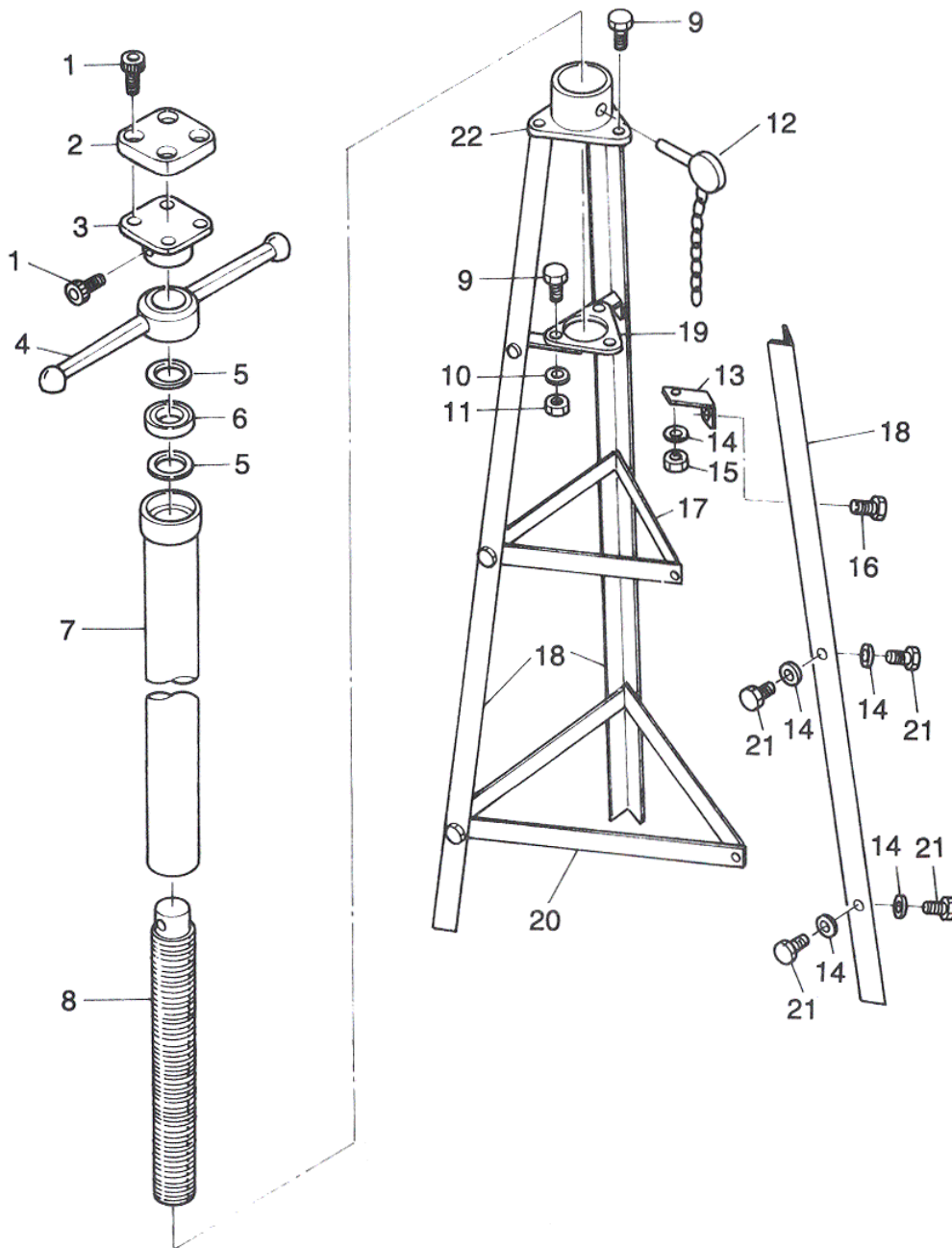
norco

DESCRIPTION
UNDER HOIST VEHICLE SUPPORT STAND

CAPACITY
1 1/2 TON

MODEL NO.
81035 A

REPLACEMENT PARTS



INDEX NO.	DESCRIPTION	PART NO.	QTY.	INDEX NO.	DESCRIPTION	PART NO.	QTY.
1	Allen Socket Head Screw	490026	5	12	Detent Pin & Chain Assembly	490040	1
2	Rubber Saddle Pad	490027	1	13	Short Brace Strap	490072	3
3	Saddle	490064	1	14	Metric Split Medium Washer	490073	15
4	Handle	490022	1	15	Metric Nut	490074	3
5	Bearing Washer	490023	2	16	Metric Hex. Head Bolt	490087	3
6	Bearing	490024	1	17	Medium Length Brace Strap	490089	3
7	Upright Tube	490066	1	18	Leg	490091	3
8	Screw Rod	490067	1	19	Lower Support Flange	490033	1
9	Metric Hex. Head Bolt	490068	6	20	Long Brace Strap	490092	3
10	Metric Split Medium Washer	490069	6	21	Metric Hex. Head Bolt	490093	12
11	Metric Nut	490071	6	22	Upper Support Flange	490032	1