

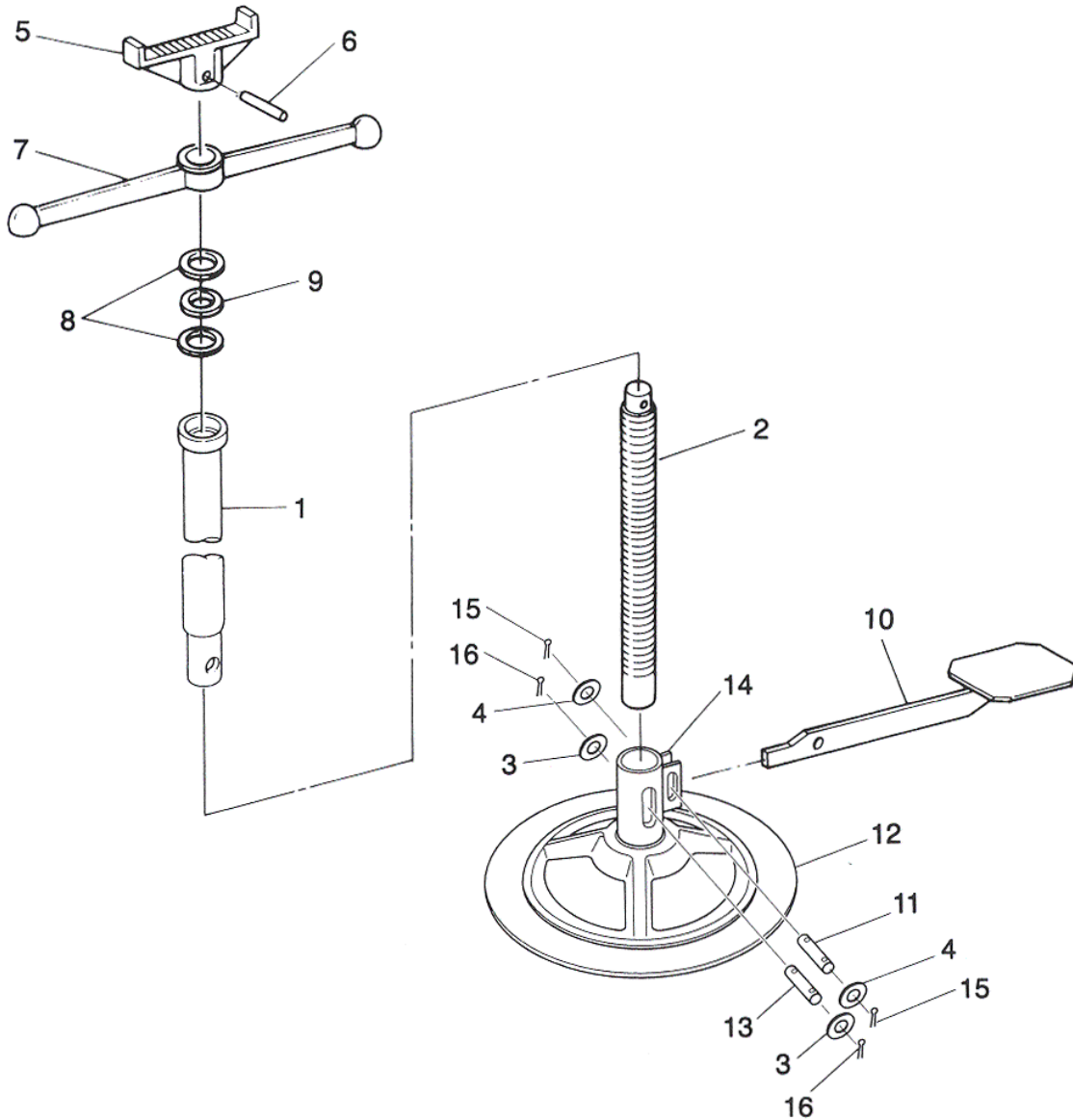
**norco**

**DESCRIPTION**  
UNDER HOIST VEHICLE COMPONENT STAND

**CAPACITY**  
3/4 TON

**MODEL NO.**  
81034 A

**REPLACEMENT PARTS**



INDEX NO.	DESCRIPTION	PART NO.	QTY.	INDEX NO.	DESCRIPTION	PART NO.	QTY.
1	Upright Tube	490017	1	9	Bearing	490024	1
2	Screw Rod	490018	1	10	Foot Pedal	490041	1
3	Large Washer	490096	2	11	Small Rivet	490042	1
4	Small Washer	490097	2	12	Base Assy.	490010	1
5	Saddle	490019	1	13	Large Rivet	490043	1
6	Rivet	490021	1	14	Upright Receiver	490015	1
7	Handle	490022	1	15	Small Ret. Pin	490044	2
8	Bearing Washer	490023	2	16	Large Ret. Pin	490059	2