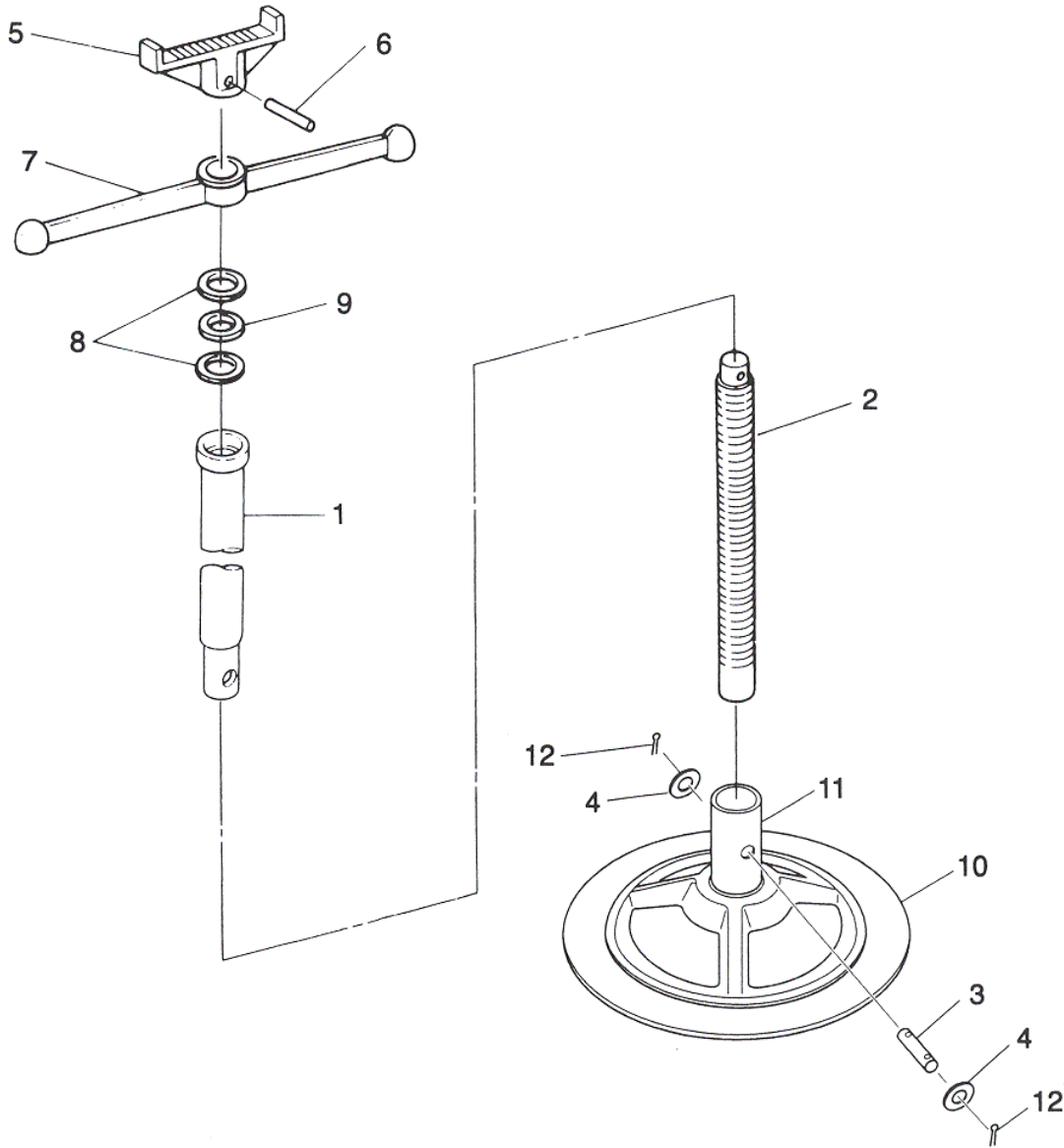


norco



DESCRIPTION
UNDER HOIST VEHICLE COMPONENT STAND

CAPACITY
3/4 TON

MODEL NO.
81033 A

REPLACEMENT PARTS

INDEX NO.	DESCRIPTION	PART NO.	QTY.	INDEX NO.	DESCRIPTION	PART NO.	QTY.
1	Upright Tube	490063	1	7	Handle	490022	1
2	Screw Rod	490018	1	8	Bearing Washer	490023	2
3	Large Rivet	490043	1	9	Bearing	490024	1
4	Large Washer	490096	2	10	Base Assy	490010	1
5	Saddle	490019	1	11	Upright Receiver	490015	1
6	Rivet	490021	1	12	Retaining Pin	490059	2