

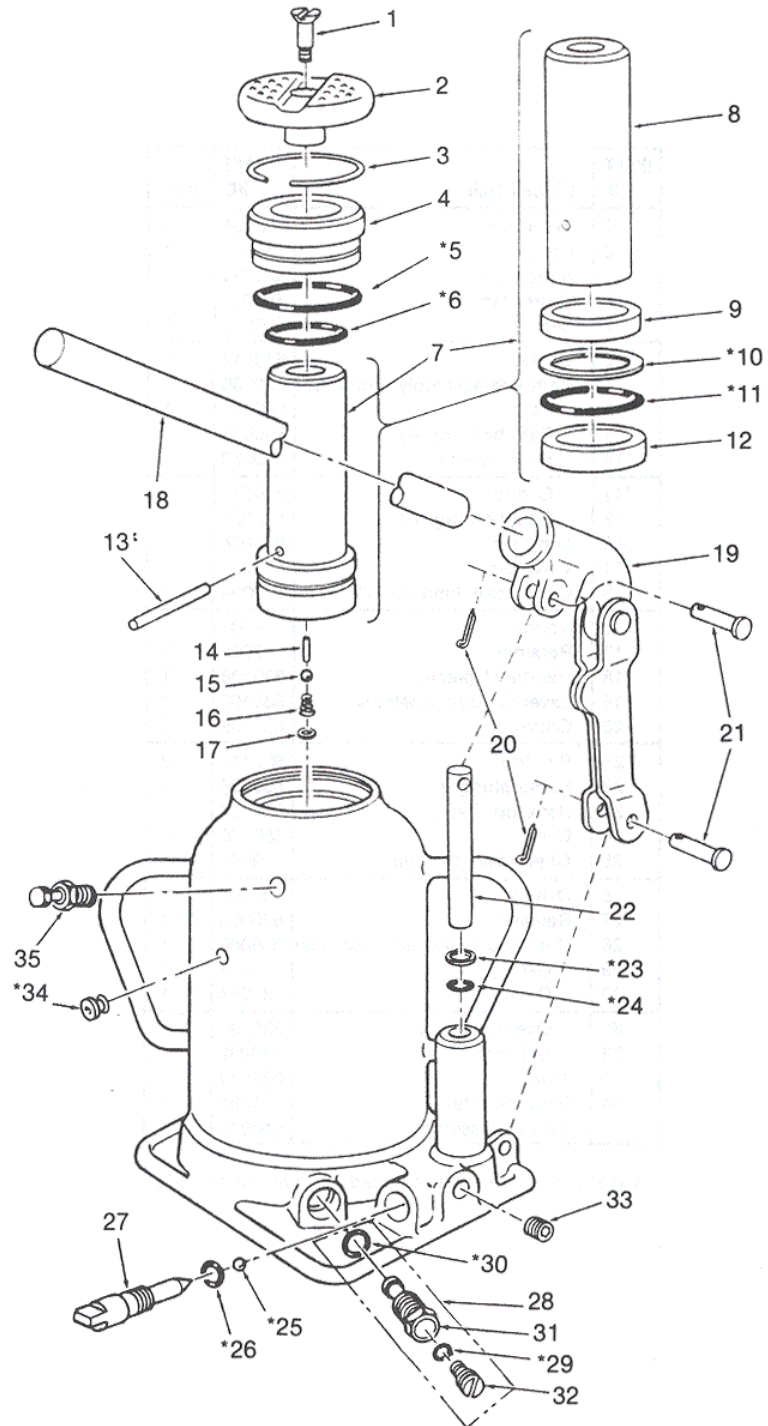


DESCRIPTION
HYDRAULIC AXLE JACK

CAPACITY
50 TON

MODEL NO.
76550

REPLACEMENT
PARTS



*Disgnates those parts included in repair kit #650500.

INDEX NO.	DESCRIPTION	PART NO.	QTY.
1	Set screw	630001	1
2	Head	650001	1
3	Snap ring	650011	1
4	Upper ram bearing	650013	1
*5	O-ring	650012	1
*6	O-ring	650014	1
7	Ram sub-assembly <i>includes:</i>	650030	1
8	Ram	650031	1
9	Ram bearing (A)	650034	1
*10	Back-up ring	650032	1
*11	O-ring	650033	1
12	Ram bearing (B)	650036	
13	Limit pin	650016	1
14	Valve pin	650022	1
15	Check ball, limit pin .250 dia.	9004	1
16	Spring	4007	1
17	Retainer	2005	1
18	Handle (1 piece)	630008	1
19	Lever linkage assembly	630100	1
20	Cotter pin	630109	2
21	Pin, link	630111	2
22	Pump plunger	650106	1
*23	Back-up ring	650107	1
*24	O-ring	650108	1
*25	Check ball .313 dia.	9005	1
*26	O-ring	630052	1
27	Release valve	630053	1
28	Overload valve, assy. <i>includes:</i>	630080	1
*29	O-ring	12008	1
*30	O-ring	630054	1
31	Overload valve	630091	1
32	Set screw	630092	1
33	Plug	630051	1
*34	Plug, oil filter	11001	1
35	Air vent assembly	650070	1

*Designates those parts included in repair kit #650500.