

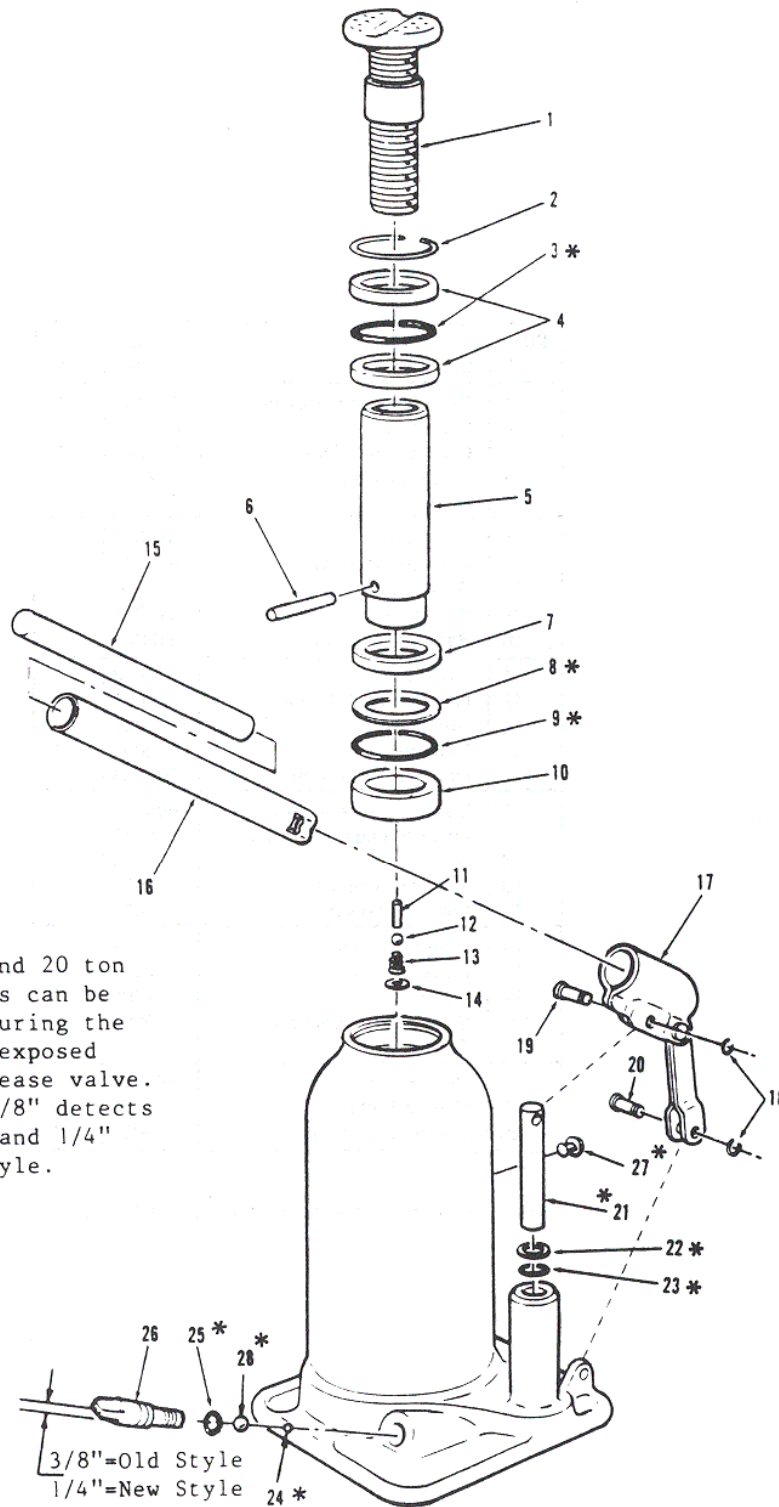
**norco**

DESCRIPTION  
LOW HEIGHT AXLE JACK

CAPACITY  
12 TON

MODEL NO.  
76512

REPLACEMENT  
PARTS



The new style 12 and 20 ton capacity axle jacks can be identified by measuring the flat sides of the exposed portion of the release valve. A measurement of 3/8" detects an old style jack and 1/4" detects the new style.

\*Designates those parts included in repair kit #612500N.

INDEX NO.	DESCRIPTION	PART NO.	QTY.
1	Extension screw assembly	613005	1
2	Snap ring	612011	1
*3	O-ring, ram wiper	612012	1
4	Upper bearing	612013	2
5	Ram	613014	1
6	Limit pin	612016	1
7	Ram bearing (A)	612017	1
*8	Back-up ring	612018	1
*9	O-ring, ram	612019	1
10	Ram bearing (B)	612021	1
11	Valve pin	612022	1
12	Check ball, 1/4" dia.	9004	1
13	Spring	4007	1
14	Retainer	2005	1
15	Upper handle section	605108	1
16	Lower handle section	605107	1
17	Lever linkage assembly	605110	1
18	Snap ring	12003	2
19	Pin link, (upper)	7006	1
20	Pin link, (lower)	7007	1
*21	Pump plunger	605111	1
*22	Back-up ring	12007	1
*23	O-ring	12005	1
*24	Check ball, injection	9001	1
*25	O-ring	12001	1
26	Release valve	602056	1
*27	Plug, oil filler	11001	1
*28	Check ball, release	9005	1

\*Designates those parts included in repair kit #612500N