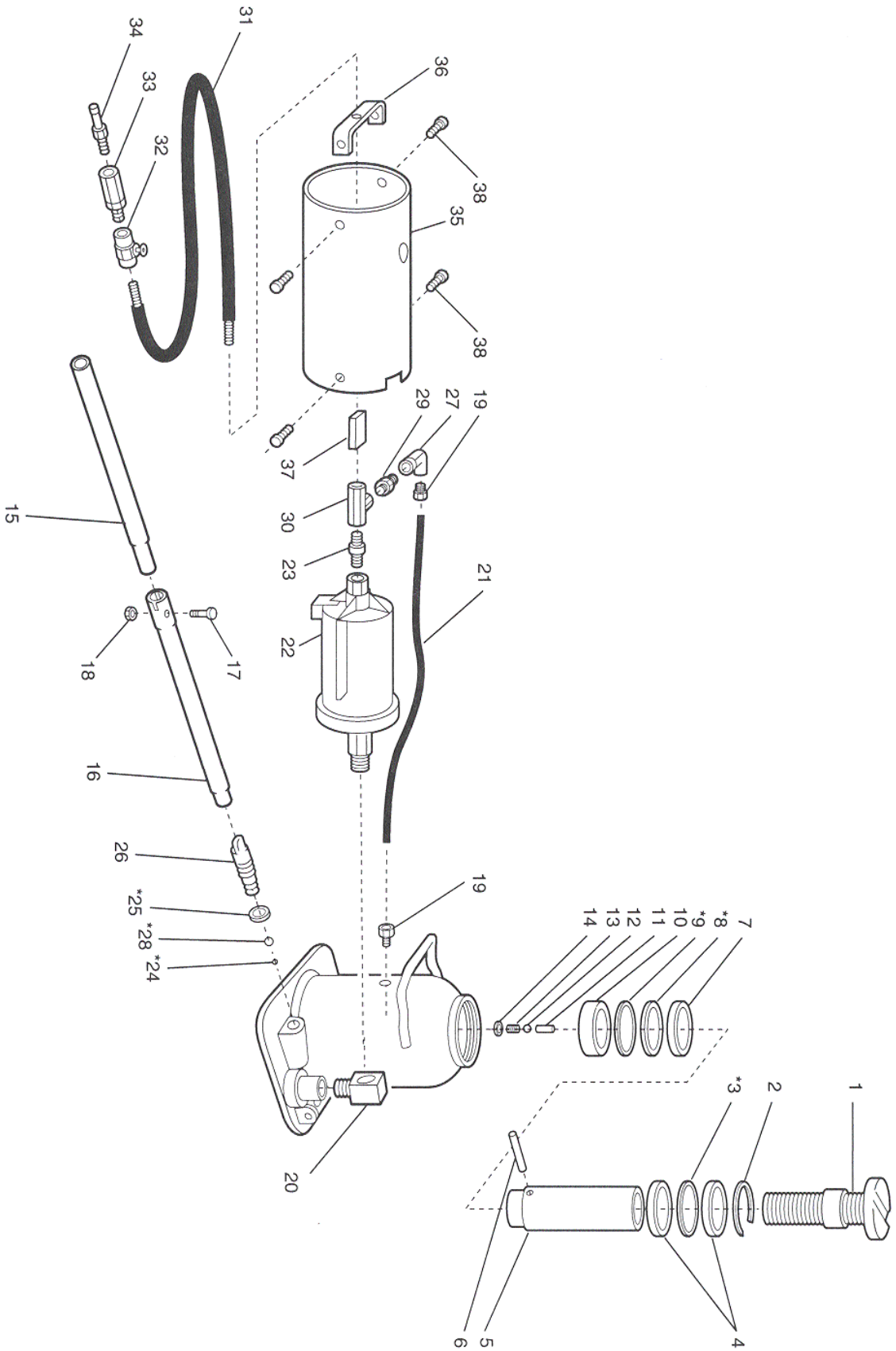


REPLACEMENT PARTS

MODEL NO.
76312/76320/76720

CAPACITY
12/20/20 TON

DESCRIPTION
AIR OPERATED HYDRAULIC BOTTLE JACKS



INDEX NO.	DESCRIPTION	PART NO's. FOR MODELS:			QTY.
		76312	76320	76720	
1	Extension screw assembly	612005	621005	621005	1
2	Snap ring	612011	621011	621011	1
*3	O-ring, ram wiper	612012	621012	621012	1
4	Upper bearing	612013	621026	621026	2
5	Ram	612014	621027	621028	1
6	Limit pin	612016	621016	621016	1
7	Ram bearing (A)	612017	621017	621017	1
*8	Backup ring	612018	621018	621018	1
*9	O-ring, ram	612019	621019	621019	1
10	Ram bearing (B)	612021	621021	621021	1
11	Valve pin	612022	621022	621022	1
12	Checkball, 1/4" diameter	9004	9004	9004	1
13	Spring	4007	4007	4007	1
14	Retainer	2005	2005	2005	1
15	Upper handle section	612023	621031	621031	1
16	Lower handle section	612024	621032	621032	1
17	1/4" - 20 x 1/4" hex. head bolt	11147	11147	11147	1
18	1/4" - 20 nyloc nut	1053	1053	1053	1
19	Slip lock tube receiver	220083	220083	220083	1
20	Air motor adapter	220066	220066	220066	1
21	Black tube	220084	220084	220084	1
22	Air pump	220100	220100	220100	1
23	1/4 to 1/8 npt male reducer	220077	220077	220077	1
*24	Checkball, injection port	9001	9001	9001	1
*25	O-ring	12001	12001	12001	1
26	Release valve	602056	602056	602056	1
27	1/8 npt female elbow	220074	220074	220074	1
*28	Check ball, release	9005	9005	9005	1
29	One-way valve	220079	220079	220079	1
30	1/8 npt female "T"	220076	220076	220076	1
31	Hose assembly	220070	220070	220070	1
32	Air valve	220067	220067	220067	1
33	In-line filter	220072	220072	220072	1
34	Air nipple disconnect	220078	220078	220078	1
35	Motor protector	612026	612026	612026	1
36	Protector bracket	612027	612027	612027	1
37	Rubber pad	612028	612028	612028	1
38	1/4" - 20 x 1/2" Phillip pan hd. screw	3174	3174	3174	4

The asterisk designates those parts in repair kit:
612025 for model 76312
621030 for models 76320 and 76720