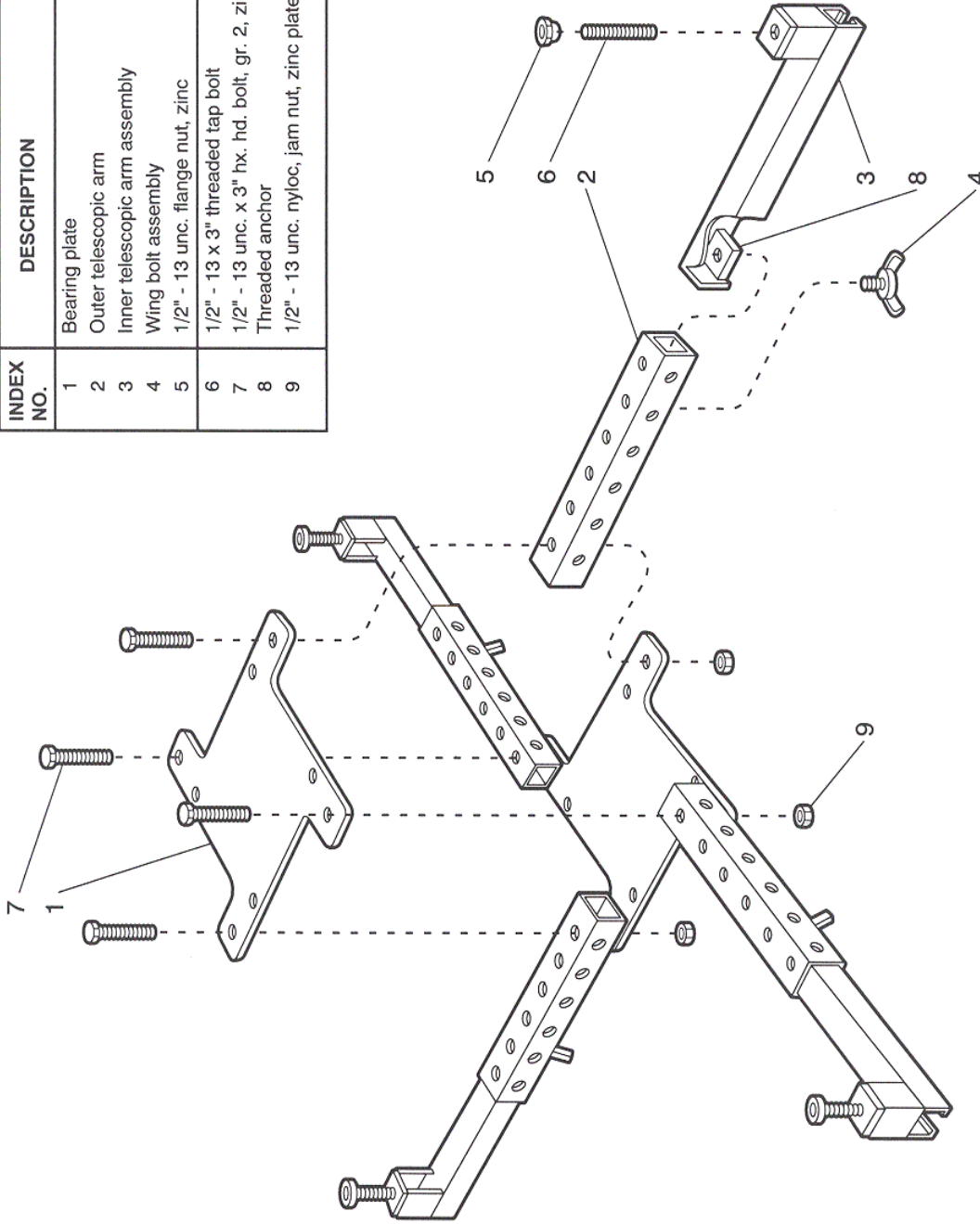


INDEX NO.	DESCRIPTION	PART NO.	QTY.
1	Bearing plate	282268	2
2	Outer telescopic arm	282261	4
3	Inner telescopic arm assembly	282265	4
4	Wing bolt assembly	282270	4
5	1/2" - 13 unc. flange nut, zinc	1087	4
6	1/2" - 13 x 3" threaded tap bolt	282264	4
7	1/2" - 13 unc. x 3" hx. hd. bolt, gr. 2, zinc plated	11048	4
8	Threaded anchor	282267	4
9	1/2" - 13 unc. nyloc, jam nut, zinc plate	1074	4



DESCRIPTION
SUB-FRAME HANDLER

CAPACITY

MODEL NO.
72520

REPLACEMENT
PARTS