

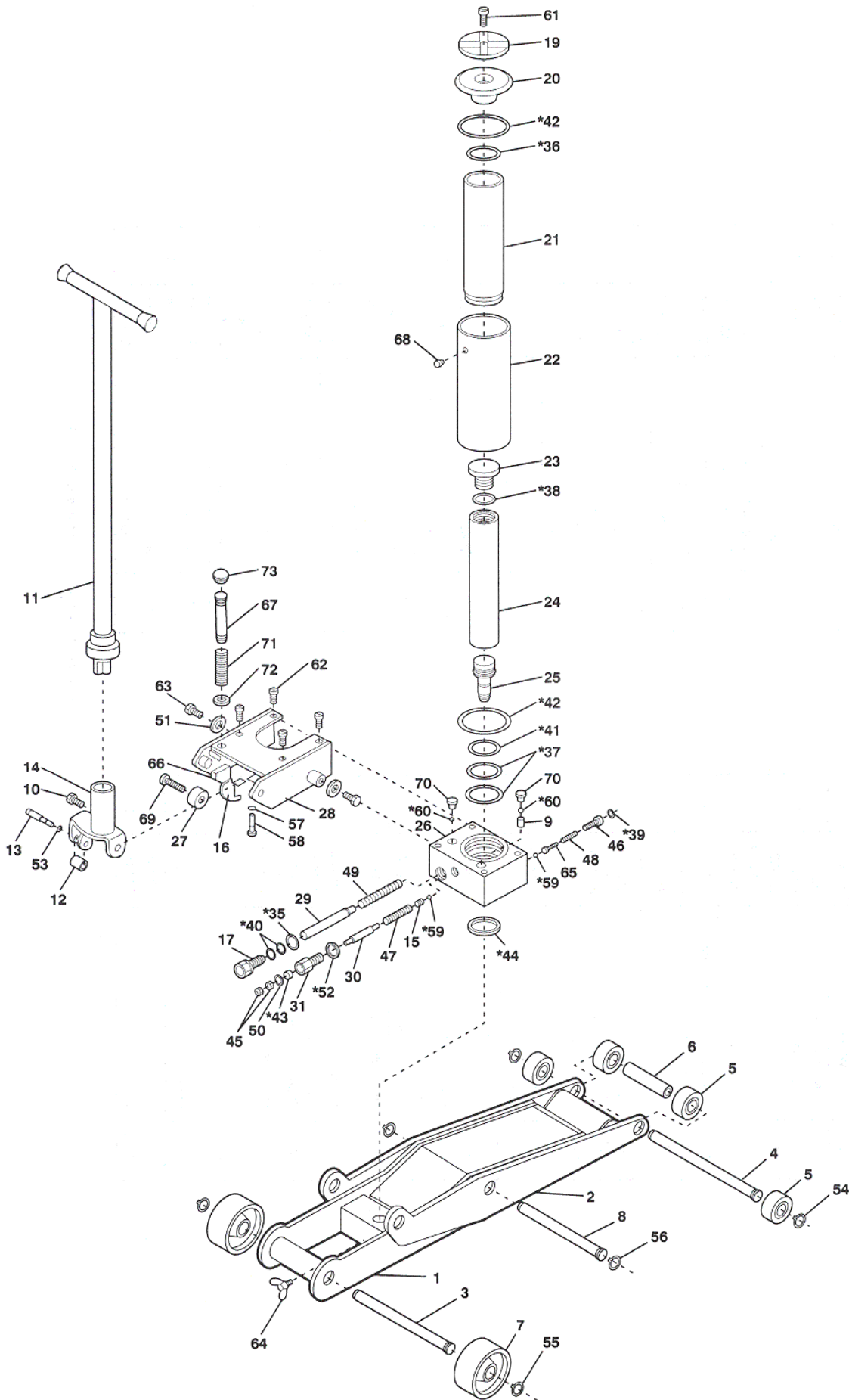
norco

DESCRIPTION
FORKLIFT JACK

CAPACITY
4/5 TON

MODEL NO.
72036

REPLACEMENT
PARTS



INDEX NO.	DESCRIPTION	PART NO.	QTY.
1	Lifting arm	229614	1
2	Base frame	229616	1
3	Rear axle	229617	1
4	Front axle	229618	1
5	Front wheel	229619	4
6	Axle spacer tube	229621	1
7	Rear wheel	229622	2
8	Pivot pin	229623	1
9	Valve weight	229624	1
10	Handle base screw	229626	1
11	Handle assembly complete	229615	1
12	Handle base roller	229627	1
13	Handle base pin	229628	1
14	Handle base	229629	1
15	Spring screw	229631	1
16	Release bracket	229632	1
17	Pump housing	229633	1
18	Saddle	229634	1
19	Cylinder nut	229636	1
21	Pressure cylinder	229637	1
22	Reservoir	229638	1
23	Ram bearing	229639	1
24	Ram	229641	1
25	Ram plunger	229642	1
26	Hydraulic block	229643	1
27	Roller	229644	1
28	Cover	229646	1
29	Pump piston	229647	1
30	Release valve	229648	1
31	Release housing	229649	1
32			
33			
34			
*35	O-ring	229651	1
*36	O-ring	229652	1
*37	O-ring	229653	2

INDEX NO.	DESCRIPTION	PART NO.	QTY.
*38	O-ring	229654	1
*39	O-ring	229656	1
*40	O-ring	229657	2
*41	O-ring	229658	1
*42	O-ring	229659	2
*43	Seal	229661	1
*44	Oil wiper	229662	1
45	Nut	229663	2
46	Overload screw	229664	1
47	Release valve spring	229666	1
48	Overload spring	229667	1
49	Pump spring	229668	1
50	Washer	229669	1
51	Washer	229671	2
*52	Aluminum washer	229672	1
53	Retaining ring	229673	1
54	Retaining ring	229674	2
55	Retaining ring	229676	2
56	Retaining ring	229677	2
57	Lockwasher	229678	1
58	Rivet	229679	1
*59	Checkball	9007	2
*60	Checkball	9004	2
61	Allen socket screw	229681	1
62	Cover screw	229682	4
63	Screw	229683	2
64	Wing screw	229684	1
65	Screw	229686	1
66	Stop block	229687	1
67	Threaded shaft	229688	1
68	Fill screw	229689	1
69	Bolt	229691	1
70	Valve screw	229692	1
71	Lock spring	229693	1
72	Washer	229694	1
73	Dome nut	229696	1
	Repair kit	229700	1

*Indicates those parts included in repair kit 229700