

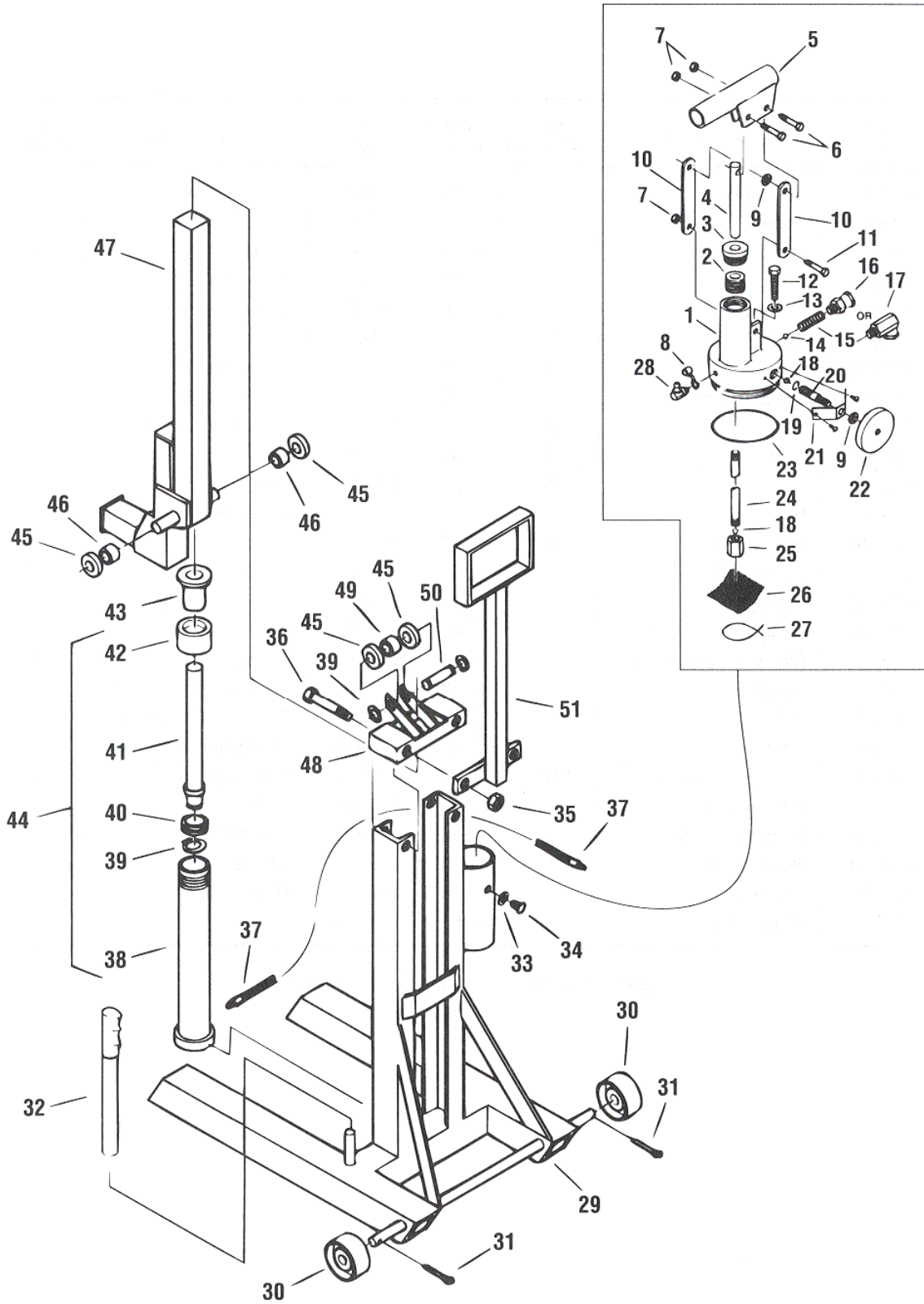
norco

DESCRIPTION
LOW PROFILE LIFT JACK

CAPACITY
5 TON

MODEL NO.
72035

REPLACEMENT
PARTS



INDEX NO.	PART NO.	DESCRIPTION	QTY. REQUIRED	INDEX NO.	PART NO.	DESCRIPTION	QTY. REQUIRED
1	229501	Pump Body	1	26	229532	Intake Screw	1
* 2	229502	Pump Piston Seal	1	27	229533	Wire Tie	1
3	229503	Pump Housing Nut	1	28	229534	Breather	1
4	229504	Pump Piston	1	29	229591	Main Frame	1
5	229506	Handle	1	30	229592	Wheel	2
6	229507	Bolt	2	31	229593	Cotter Pin	2
7	229508	Nut	3	32	229594	Pump Handle	1
8	229509	Breather Cap	1	33	229552	Teflon Washer	1
9	229511	Nut	2	34	229553	Reservoir Fill Bolt	1
10	229512	Lever Link	2	35	229596	Nut	2
11	229513	Bolt	1	36	229597	Bolt	2
12	229514	Bolt	1	37	229595	Hydraulic Hose Assy.	1
13	229516	Brass Washer	1	38	229598	Cylinder	1
* 14	9005	Check Ball	1	39	229599	Retaining Ring	3
15	229518	Spring	1	* 40	229601	Seal	1
16	229519	Straight Swivel Fitting	1	41	229602	Ram	1
17	229521	Elbow Swivel Fitting	1	42	229603	Cylinder Nut	1
* 18	9004	Check Ball	2	43	229604	Ram Bearing	1
* 19	229523	O-Ring	1	44	229605	Complete Cylinder Assy.	1
20	229524	Release Stem	1	45	229606	Guide Roller	4
21	229526	Release Retainer with 2 screws	1 Set	46	229607	Roller Spacer	2
22	229527	Release Handle	1	47	229608	Upright	1
* 23	229528	Reservoir O-Ring	1	48	229609	Frame Cap	1
24	229529	Intake Tube	1	49	229611	Spacer	1
25	229531	Intake Valve Body	1	50	229612	Roller Shaft	1
				51	229613	Handle	1

* Designates those parts in Repair Kit #229600